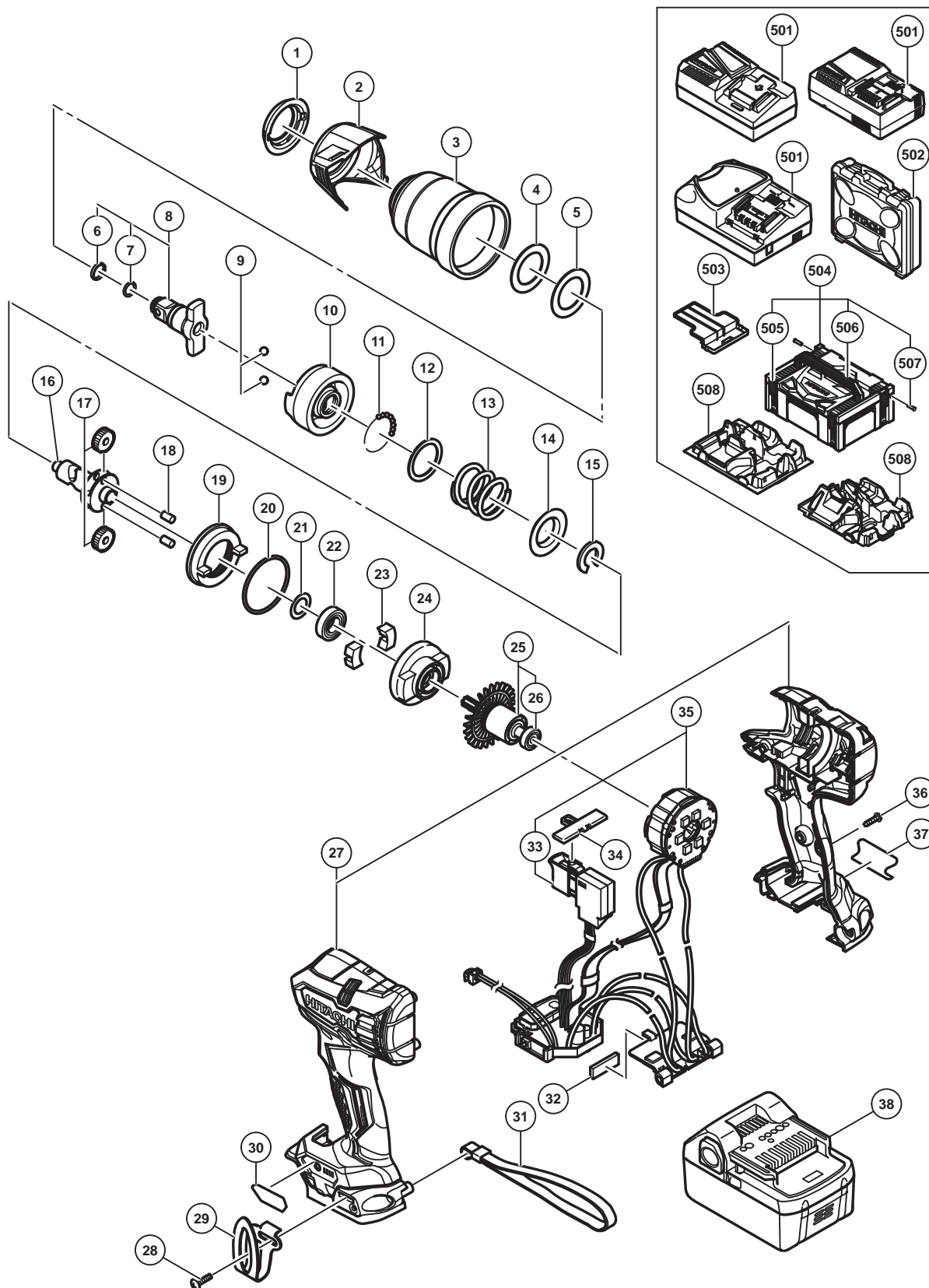


ELECTRIC TOOL PARTS LIST

CORDLESS IMPACT WRENCH Model WR 18DBDL2

2016-10-19
(E1)



PARTS

WR 18DBDL2

ITEM NO.	CODE NO.	DESCRIPTION	NO. USED	REMARKS
1	370950	FRONT CAP	1	
2	370938	PROTECTOR	1	
3	370943	HAMMER CASE	1	
4	370945	THRUST DAMPER	1	
5	370944	WASHER (F)	1	
6	370951	FRICITION RING (B)	1	
7	315382	O-RING (P-8)	1	
8	370933	ANVIL ASS'Y	1	INCLUD.6,7
9	959154	STEEL BALL D5.556 (10 PCS.)	2	
10	370947	HAMMER	1	
11	959148	STEEL BALL D3.175 (10 PCS.)	28	
12	315978	WASHER (J)	1	
13	370946	HAMMER SPRING (L)	1	
14	316172	WASHER (S)	1	
15	316171	STOPPER	1	
16	370949	SPINDLE	1	
17	326295	IDLE GEAR SET (2 PCS.)	2	
18	319914	NEEDLE ROLLER	2	
19	370948	RING GEAR (E)	1	
20	983852	O-RING (S-42)	1	
21	319911	WASHER (E)	1	
22	323118	BALL BEARING 6901VV-N	1	
23	333952	DAMPER	2	
24	332185	INNER COVER	1	
25	361055	ROTOR PINION ASS'Y	1	INCLUD.26
26	333826	BALL BEARING 625DD	2	
27	370935	HOUSING (A).(B) SET	1	
28	327001	TRUSS HD. SCREW M4 (BLACK)	1	
29	336372	HOOK	1	
30	370937	PANEL SHEET (D)	1	
31	306952	STRAP (BLACK)	1	
32	331101	CUSHION	1	
33	339217	DC-SPEED CONTROL SWITCH	1	
34	324225	PUSHING BUTTON (B)	1	
35	370942	WIRING ASS'Y	1	INCLUD.33
36	307811	TAPPING SCREW (W/FLANGE) D4 X 16 (BLACK)	9	
37		NAME PLATE	1	
* 38	338891	BATTERY BSL 1860 (EUROPE,AUS,NZL)	2	INCLUD.503
* 38	335790	BATTERY BSL 1850 (EUROPE,AUS,NZL)	2	INCLUD.503
* 38	336265	BATTERY BSL 1850 (CHN)	2	INCLUD.503
* 38	370739	BATTERY BSL 1850 (KOR)	2	INCLUD.503
* 38	330068	BATTERY BSL 1830 (EUROPE,AUS,NZL)	2	INCLUD.503
* 38	334729	BATTERY BSL 1830 (TPE)	2	INCLUD.503
* 38	336690	BATTERY BSL 1830 (THA)	2	INCLUD.503
* 38	339782	BATTERY BSL 1830C (USA,CAN)	2	INCLUD.503

STANDARD ACCESSORIES

WR 18DBDL2

ITEM NO.	CODE NO.	DESCRIPTION	NO. USED	REMARKS
* 501		CHARGER (MODEL UC 18YFSL)	1	
* 501		CHARGER (MODEL UC 18YSL3)	1	
* 501		CHARGER (MODEL UC 18YML2)	1	
* 502	337852	CASE	1	
503	329897	BATTERY COVER	1	
* 504	336471	CASE ASS'Y (STACKABLE 2)	1	INCLUD.505-507
* 505	336472	LATCH	4	
* 506	336473	HANDLE	1	
* 507	336474	HINGE	2	
* 508	339776	INNER TRAY	1	
* 508	336475	INNER TRAY	1	EXCEPT FOR GBR

OPTIONAL ACCESSORIES

ITEM NO.	CODE NO.	DESCRIPTION	NO. USED	REMARKS
601	873537	SOCKET PIN	1	
602	873187	O-RING (J1SW1516)	1	
603	991481	FORM TIE SOCKET ASS'Y 11.3MM X 95L	1	INCLUD.601,602
604	992610	UNIVERSAL JOINT ASS'Y	1	INCLUD.601,602
605	955153	UNIVERSAL JOINT PIN	1	
606	991476	BIT ADAPTER ASS'Y	1	INCLUD.601,602
607	944291	HEX. SOCKET ASS'Y 10MM X 40L	1	INCLUD.601,602
608	873632	HEX. SOCKET ASS'Y 12MM X 40L	1	INCLUD.601,602
609	873539	HEX. SOCKET ASS'Y 13MM X 40L	1	INCLUD.601,602
610	873540	HEX. SOCKET ASS'Y 14MM X 40L	1	INCLUD.601,602
611	873536	HEX. SOCKET ASS'Y 17MM X 32L	1	INCLUD.601,602
612	873624	HEX. SOCKET ASS'Y 19MM X 34L	1	INCLUD.601,602
613	873626	HEX. SOCKET ASS'Y 21MM X 36L	1	INCLUD.601,602
614	873627	HEX. SOCKET ASS'Y 22MM X 40L	1	INCLUD.601,602
615	986058	HEX. SOCKET FOR PLASTIC CONE 12MM X 70L	1	INCLUD.601,602
616	873633	EXTENSION BAR ASS'Y (SQUARE) 12.7MM X 100L	1	INCLUD.601,602
617	955138	HEX. SOCKET ASS'Y (LONG) 12MM X 52L	1	INCLUD.601,602
618	955139	HEX. SOCKET ASS'Y (LONG) 13MM X 52L	1	INCLUD.601,602