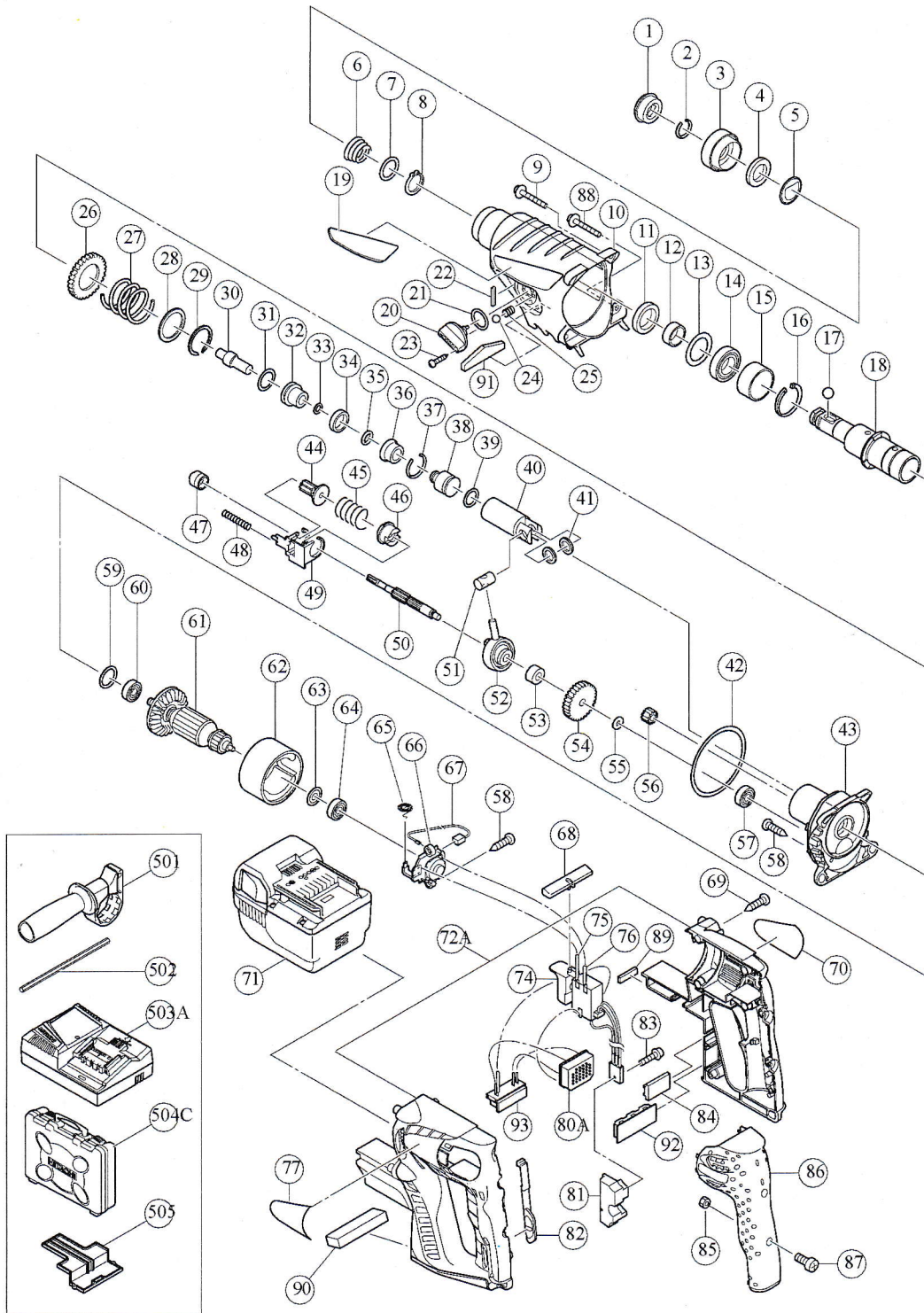


## Hitachi Power Tool Parts List

SVG Exploded Diagram

CORDLESS ROTARY HAMMER DH 25DAL



Rev.9

形名
DH25DAL

## PARTS

ITEM No.	CODE No.	DESCRIPTION	USED No.	REMARKS
1	306345	FRONT CAP	1	
2	306340	STOPPER RING	1	
3	323154	GRIP	1	
4	324528	BALL HOLDER	1	
5	324526	HOLDER PLATE	1	
6	322812	HOLDER SPRING	1	
7	984118	WASHER (B)	1	
8	939547	RETAINING RING FOR D20 SHAFT (10 PCS.)	1	
9	305558	TAPPING SCREW (W/FLANGE) D5X25 (BLACK)	2	
10	325555	GEAR COVER (A)	1	
11	307688	OIL SEAL	1	
12	322815	SLEEVE	1	
13	323232	FELT PACKING (B)	1	
14	6904DD	BALL BEARING 6904DDPS2L	1	
15	324522	SLEEVE (A)	1	
16	322813	RETAINING RING 37MM	1	
17	959156	STEEL BALL D7.0 (10 PCS.)	1	
18	323184	CYLINDER	1	
19	323172	HITACHI PLATE (GREEN)	1	
20	325551	CHANGE LEVER (A)	1	
21	878885	O-RING (S-18)	1	
22	325554	FELT PACKING	1	
23	323239	TAPPING SCREW D2.6X10	1	
24	959155	STEEL BALL D3.97 (10 PCS.)	1	
25	981328	SPRING (H)	1	
26	323185	SECOND GEAR	1	
27	317233	SPRING (A)	1	
28	317234	WASHER (A)	1	
29	317235	RETAINING RING D30	1	
30	324525	SECOND HAMMER	1	
31	944486	O-RING (1AP-20)	1	
32	324523	HAMMER HOLDER	1	
33	322802	O-RING (B)	1	
34	322805	DAMPER (A)	1	
35	322808	O-RING (C)	1	
36	324524	DAMPER HOLDER	1	
37	322807	STOPPER RING	1	
38	324535	STRIKER	1	
39	322834	O-RING (I.D. 16)	1	
40	324534	PISTON	1	
41	322799	WASHER (C)	2	
42	325254	O-RING (I.D. 72)	1	
43	323157	INNER COVER ASS'Y	1	
44	323181	SECOND PINION	1	
45	323182	CLUTCH SPRING	1	
46	324606	CLUTCH	1	
47	323249	PINION SLEEVE	1	
48	325556	SPRING (C)	1	
49	325553	LOCK PLATE	1	
50	325552	SECOND SHAFT (A)	1	
51	322798	PISTON PIN	1	
52	324533	RECIPROCATING BEARING	1	
53	323152	COLLAR	1	
54	323153	FIRST GEAR	1	
55	301663	SPACER	1	
56	323170	PINION	1	
57	626VVM	BALL BEARING 626VVC2PS2L	1	

\*:ALTERNATIVE PARTS



## PARTS

ITEM No.	CODE No.	DESCRIPTION	USED No.	REMARKS
58	305812	TAPPING SCREW (W/FLANGE) D4X16 (BLACK)	4	
59	876796	O-RING (P-22)	1	
60	608DDM	BALL BEARING 608DD	1	
61	360814	ARMATURE AND PINION ASS'Y DC 25.2V	1	
62	323156	MAGNET	1	
63	982631	WASHER (A)	1	
64	608DDM	BALL BEARING 608DD	1	
65	308536	SPRING	2	
66	323164	BRUSH HOLDER	1	
67	999090	CARBON BRUSH (AUTO STOP TYPE) (1 PAIR)	2	
68	328064	PUSHING BUTTON	1	
69	302086	TAPPING SCREW (W/FLANGE) D4X20 (BLACK)	6	
70		NAME PLATE	1	
71	328033	BATTERY BSL 2530 (EUROPE,AUS,NZL)	2	
72A	328514	HOUSING (A),(B) SET	1	
74	328058	DC-SPEED CONTROL SWITCH	1	
75	323166	INTERNAL WIRE (RED)	1	
76	323165	INTERNAL WIRE (BLACK) 75L	1	
77		HITACHI LABEL	1	
80A	328060	CONTROLLER TERMINAL SET	1	
81	319812	HEAT SINK	1	
82	323159	SHIFT KNOB	1	
83	993963	MACHINE SCREW (W/WASHERS) M3X12	1	
84	313591	RUBBER HOLDER	1	(TILL 04.2010)
85	949554	NUT M4 (10 PCS.)	2	
86	323160	GRIP COVER	1	
87	949215	MACHINE SCREW M4X8 (10 PCS.)	2	
88	328707	TAPPING SCREW (W/FLANGE) D5X30 (BLACK)	2	
89	328708	CUSHION (A)	1	
90	331415	PACKING (B)	1	(TILL 04.2010)
91	333144	PACKING (C)	1	
92	332668	RUBBER CUSHION	1	
93	333991	BATTERY TERMINAL	1	
		STANDARD ACCESSORIES		
		OPTIONAL ACCESSORIES		

## STANDARD ACCESSORIES

ITEM No.	CODE No.	DESCRIPTION	USED No.	REMARKS
501	323155	SIDE HANDLE	1	
502	303709	DEPTH GAUGE	1	
503A		CHARGER (MODEL UC 36YRSL)	1	
504C	337814	CASE	1	
505	329897	BATTERY COVER	1	

## OPTIONAL ACCESSORIES

ITEM No.	CODE No.	DESCRIPTION	USED No.	REMARKS
601	303332	HAMMER DRILL CHUCK SET 13MM	1	INCLUD.602,603
602	303334	CHUCK HANDLE	1	
603	303335	RUBBER CAP	1	
604	321825	DRILL CHUCK AND ADAPTER SET	1	
605	303623	CHUCK ADAPTER (G) (SDS PLUS)	1	
606	321814	DRILL CHUCK 13VLRB-D	1	
607	995344	FLAT HD. SCREW (A) (LEFT HAND) M6X25	1	

\*:ALTERNATIVE PARTS



## OPTIONAL ACCESSORIES

ITEM No.	CODE No.	DESCRIPTION	USED No.	REMARKS
608	987576	CHUCK WRENCH FOR 13VLB-D,13VLR-D	1	
609	321813	DRILL CHUCK 13VLD-D	1	INCLUD.610
610	303334	CHUCK HANDLE	1	
611	971787	DUST CUP	1	
612	931844	STOPPER	1	
613	971511Z	+ DRIVER BIT (A) NO.2 25L	1	
614	971512Z	+ DRIVER BIT (A) NO.3 25L	1	
615	971795	ANCHOR SETTING ADAPTER A W5/16" (MANUAL)	1	
616	971796	ANCHOR SETTING ADAPTER A W3/8" (MANUAL)	1	
617	971797	ANCHOR SETTING ADAPTER A W1/2" (MANUAL)	1	
618	971798	ANCHOR SETTING ADAPTER A W5/8" (MANUAL)	1	
619	971799	ANCHOR SETTING ADAPTER B W1/4" (MANUAL)	1	
620	971800	ANCHOR SETTING ADAPTER B W5/16" (MANUAL)	1	
621	971801	ANCHOR SETTING ADAPTER B W3/8" (MANUAL)	1	
622	971802	ANCHOR SETTING ADAPTER B W1/2" (MANUAL)	1	
623	971803	ANCHOR SETTING ADAPTER B W5/8" (MANUAL)	1	
624	944477	COTTER	1	
625	303617	TAPER SHANK ADAPTER (SDS PLUS) NO.1	1	
627	303619	A-TAPER SHANK ADAPTER (SDS PLUS)	1	
628	303620	B-TAPER SHANK ADAPTER (SDS PLUS)	1	
629	303624	CHUCK ADAPTER (D) (SDS PLUS)	1	
630	302976	ANCHOR SETTING ADAPTER A (SDS+)W1/4X260L	1	
631	302975	ANCHOR SETTING ADAPTER A(SDS+)W5/16X260L	1	
632	303621	ANCHOR SETTING ADAPTER A (SDS+)W3/8X160L	1	
633	302974	ANCHOR SETTING ADAPTER A (SDS+)W3/8X260L	1	
634	302979	ANCHOR SETTING ADAPTER B (SDS+)W1/4X260L	1	
635	302978	ANCHOR SETTING ADAPTER B(SDS+)W5/16X260L	1	
636	303622	ANCHOR SETTING ADAPTER B (SDS+)W3/8X160L	1	
637	302977	ANCHOR SETTING ADAPTER B (SDS+)W3/8X260L	1	
638	303044	CHEMICAL ANCHOR ADAPTER (SDS+)12.7MMX90L	1	
639	303045	CHEMICAL ANCHOR ADAPTER(SDS+)19.0MMX100L	1	
640	303625	CORE BIT SHANK (SDS PLUS) 25-38MM 105L	1	
641	303626	CORE BIT SHANK (SDS PLUS) 25-38MM 300L	1	
642	303627	CORE BIT SHANK (SDS PLUS) 45-90MM 300L	1	
643	306885	DUST COLLECTOR (B) ASS'Y	1	INCLUD.644
644	306910	SOCKET ADAPTER (B)	1	
646	944461	TAPER SHANK DRILL BIT D12.3X110	1	
647	993038	TAPER SHANK DRILL BIT D12.7X110	1	
649	944500	TAPER SHANK DRILL BIT D14.5X110	1	
652	982672	CORE BIT (A) 25MM	1	
653	982673	CORE BIT (A) 29MM	1	
654	982674	CORE BIT (A) 32MM	1	INCLUD.655
655	982686	GUIDE PLATE (FOR CORE BIT 32MM)	1	
656	982675	CORE BIT (A) 35MM	1	INCLUD.657
657	982687	GUIDE PLATE (FOR CORE BIT 35MM)	1	
658	982676	CORE BIT (A) 38MM	1	INCLUD.659
659	982688	GUIDE PLATE (FOR CORE BIT 38MM)	1	
660	982677	CORE BIT (B) 45MM	1	INCLUD.661
661	982689	GUIDE PLATE (FOR CORE BIT 45MM)	1	
663	982690	GUIDE PLATE (FOR CORE BIT 50MM)	1	
664	982684	CENTER PIN (A) 109L FOR CORE BIT D32-38	1	
665	982685	CENTER PIN (B) 104L FOR CORE BIT D45-90	1	
666	981840	GREASE (A) FOR HAMMER.HAMMER DRILL (30G)	1	
667	308471	GREASE FOR HAMMER.HAMMER DRILL (70G)	1	
668	980927	GREASE FOR HAMMER.HAMMER DRILL (500G)	1	
669	303046	BULL POINT (SDS+) 250MM(ROUND SHANK TYPE	1	
670	325149	GREASE (MOLUB-ALLOY NO.777-1) 75G	1	

\*:ALTERNATIVE PARTS